

北京销售公司

销售电话：010-62571592 服务电话：010-61778254

深圳销售公司

销售电话：0755-26471661 服务电话：0755-26756283

西安销售公司

销售电话：029-82682011 服务电话：010-61778254

苏州中科科仪

销售电话：0512-68091015 服务电话：0512-69388860/8017

成都办事处

销售电话：028-83208009 服务电话：010-61778254

沈阳办事处

销售电话：024-81067966 服务电话：024-81067966

总部地址：北京市海淀区中关村北二条13号 (100190)

总部维修热线：18611455288

投诉电话：010-82548038 投诉邮箱：zlb@kyky.com.cn

公司网址：www.kyky.com.cn 邮箱：market@kyky.com.cn sales@kyky.com.cn

Address: No.13, Beiertiao, Zhongguancun, Haidian District, Beijing, P.R. China

Zip Code : 100190

Tel : +86-10-62520080 Fax : +86-10-58043695

E-mail : intemational@kyky.com.cn Website : www.kyky.com.cn

版本 Ver : 2022年8月



KYKY 北京中科科仪股份有限公司
KYKY TECHNOLOGY CO., LTD.

科技创造美好生活

Vacuum Leak Detection

真空检漏设备

www.kyky.com.cn

COMPANY PROFILE
公司简介

北京中科科仪股份有限公司，中国真空技术、电子光学的引领者，中国第一台分子泵、第一台商品化氦质谱检漏仪、第一台扫描电子显微镜、第一台磁悬浮分子泵的诞生地，六十余年来一直致力于为全球真空技术合作伙伴提供全方位的真空技术解决方案。研制并生产真空获得、真空检漏、真空测量、系统集成等多元化的真空产品，在生命科学、医药工程、汽车工业、航空航天、能源工业、建筑材料、现代装饰、高端电子消费品等领域发挥着重要作用。

以不断追求技术创新，贴近客户需求为初心，我们将继续引领国内真空技术发展的潮流，推动着中国真空技术的不断发展，为客户提供更加优质的产品和便捷的服务。

KYKY TECHNOLOGY CO., LTD., was founded in 1958, the pioneer of vacuum technology and electron optics in China. In the past 60 years, KYKY has been dedicated to providing comprehensive vacuum solutions to the customers all over the world.

KYKY invented the first set of Turbo Molecular Pump, Commercial Helium Leak Detector and Scanning Electron Microscope in China.

KYKY offers vacuum technology solutions, consultation and services to our customers. The main products are applied in the fields of Life Science, Medicine Engineering, Automobile Industry, Aerospace, Energy Industry, Construction Materials, Modern Decoration, High-end Consumer Electronics, etc.

In the spirit of technology innovation and customer orientation, KYKY will continuously contribute to the further development in vacuum industry of China.

APPLICATIONS 应用领域

真空获得 Vacuum Generation



真空检漏 Vacuum Leak Detection



真空检漏业务 / Vacuum Leak Detection

中科科仪具有近五十年的真空检漏技术经验，是我国最大的拥有自主知识产权的真空检漏仪器与真空检漏系统的研发与生产基地。自ZHP-10型氦质谱检漏仪上市以来，KYKY本着创新求发展的企业精神，相继推出ZQJ-230系列、ZQJ-291系列、ZQJ-530型、ZQJ-542型、ZQJ-2000系列以及ZQJ-3000型等多种型号的检漏仪；同时研制出了充气回收检漏系统、高低真空排气检漏台、充氮充氟油检漏平台、防爆测氢检漏仪等检漏设备。中科科仪研制的检漏仪与检漏系统为航空航天、电力电子、空调制冷、化工冶金、医疗设备、半导体生产等诸多领域提供了先进、有效的检漏解决方案，满足了各领域用户的不同需求。

With nearly 50 years of vacuum leak detection technology experience, KYKY is the largest R&D and production base of HLD and has the independent intellectual property rights for vacuum leak detection system. Since the launch of ZHP-10 HLD, KYKY in the spirit of innovation and development, produced ZQJ-230 series, ZQJ-291 series, ZQJ-530, ZQJ-542, ZQJ-2000 series, ZQJ-3000 and other types of HLD, and developed gas recovery leak detection system, high and low vacuum exhaust leak detection platform, helium-filled fluorine oil leak detection platform, explosion-proof helium leak detector and other leak detection equipment as well. The leak detectors and leak detection systems developed by KYKY provide advanced and effective leak detection solutions to aerospace, power electronics, air conditioning refrigeration, chemical metallurgy, medical equipment, semiconductor production and many other applications to meet the demands in various fields.

CATALOGUE
目录

常用真空检漏方法介绍 General Vacuum Leak Detection Methods

真空法 Vacuum mode	05
吸入法 Sniffing Mode	06
喷氦法 Spraying Mode	07
背压法 Bombing Mode	08

氦质谱检漏仪 Helium Leak Detectors

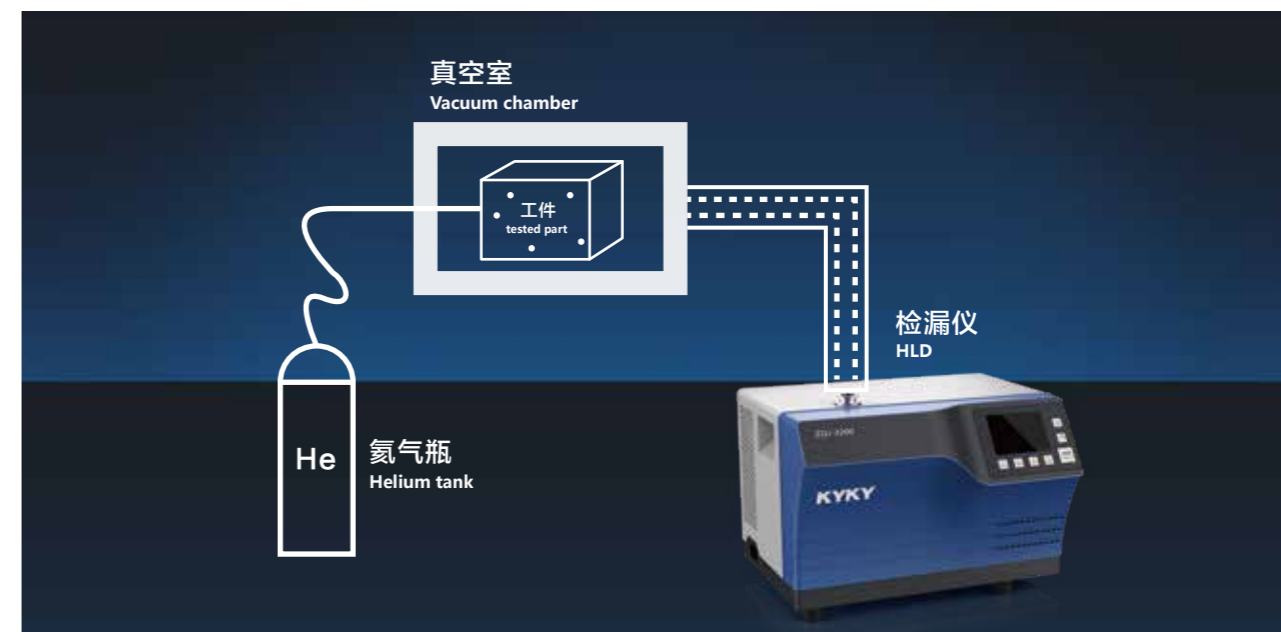
氦质谱检漏仪 Helium Leak Detectors	09
应用领域 Applications	10
安装尺寸图 Outline Dimensions Drawing	11
技术指标 Specifications	13

真空检漏系统 Vacuum Leak Detection System

汽车空调冷凝器检漏系统 Vacuum Chamber Helium Leak Detection System for Automobile.A.C.Condensers	15
汽车空调蒸发器检漏系统 Vacuum Chamber Helium Leak Detection System for Automobile.A.C.Evaporators	16
汽车空调储液器检漏系统 Vacuum Chamber Helium Leak Detection System for Automobile A.C. reservoirs	17
汽车空调压缩机检漏系统 Vacuum Chamber Helium Leak Detection System for Automobile A.C. Compressor	18
汽车空调管路检漏系统 Helium Leak Detection System For A.C. tube	19
汽车液力变矩器检漏系统 Hydraulic torque converter leak detection system	20
家用空调检漏系统 Vacuum Chamber Helium Leak Detection System For Domestic Air-conditioning	21
电力柱上开关检漏系统 Vacuum Chamber Helium Leak Detection System For column switches	22
气体绝缘柜、环网柜检漏系统 Vacuum Chamber Helium Leak Detection System for Power Switch	23
航空航天接插件检漏系统 Leak detection system for aerospace connectors	24
锂电池外壳、陶瓷电极检漏系统 Ceramic electrode and battery case leak detection system	25
多工位高真空排气检漏台 Multi-station High Vacuum Exhaust Leak Detection System	26
充氮充氟油检漏平台 Fluorinated Oil Leak Detection Device	27

真空解决方案 Vacuum Solutions

真空解决方案 Vacuum Solutions	28
----------------------------	----

GENERAL VACUUM LEAK DETECTION METHODS
常用真空检漏方法介绍

真空法 VACUUM MODE

被检测件放入真空室内，对被检测件充入一定压强的氦气，真空室与检漏仪的检漏口相接，若被检工件有泄漏，则漏入真空箱的氦气可通过检漏仪测出。

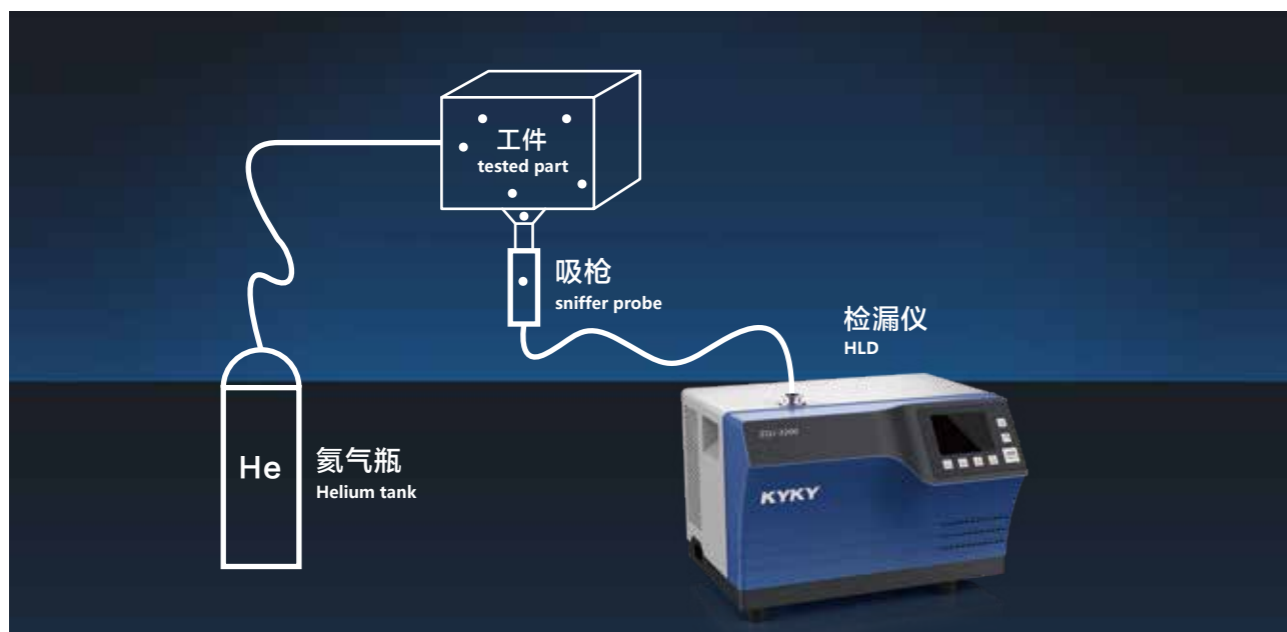
The tested part is placed in a vacuum test chamber and filled with helium with certain pressure. If a leak is present, the escaped Helium will be measured by the leak detector.

主要特点 MAIN CHARACTERISTICS

- ◆ 可测出被检测件整体漏率 Available for leak rate of entire part
- ◆ 检测精度很高、重复性好 High sensitivity, good repeatability
- ◆ 检测节拍很快，特别适合在线工业化生产 Short detection cycle especially suitable for industrial production
- ◆ 如配备氦气回收装置，可实现氦气循环使用，节约生产成本 Cost-saving if equipped with Helium recycling device
- ◆ 缺点是需要其他辅助方法确定漏点 Weakness: other devices required to target the leaking point

GENERAL VACUUM LEAK DETECTION METHODS

常用真空检漏方法介绍



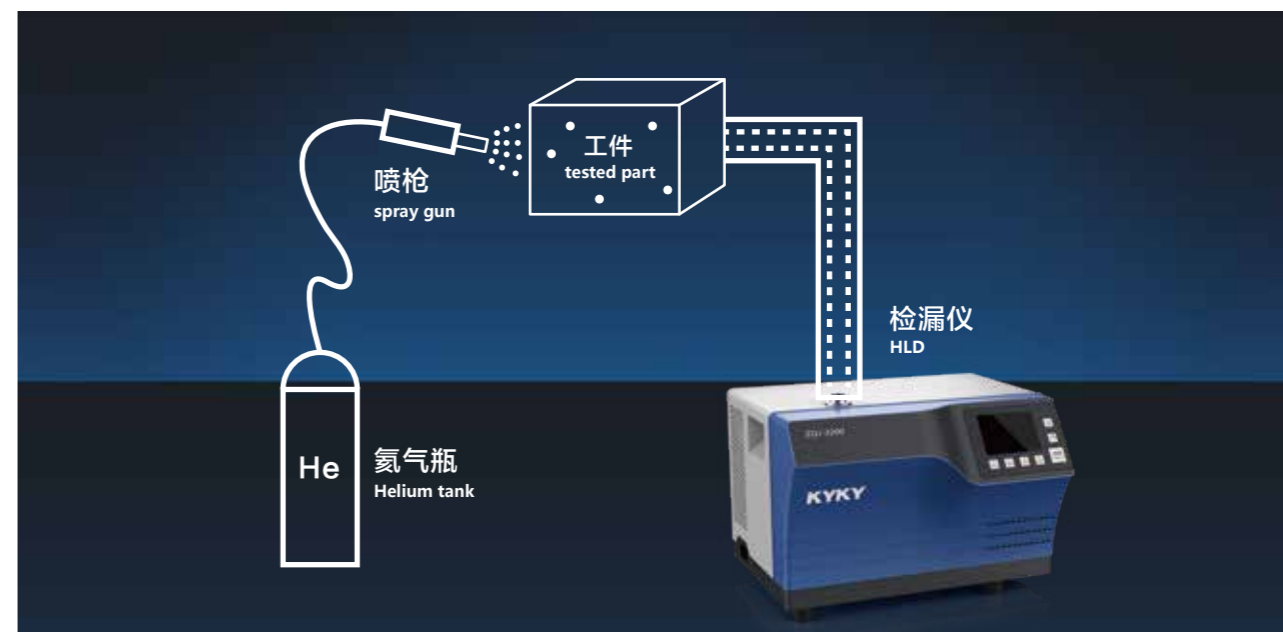
吸入法 SNIFFING MODE

吸入法,对被检测容器充入氦气,在氦质谱检漏仪的检漏口配备专用吸枪,使用吸枪对充了氦的被检容器外壁的焊缝和密封接头等处移动,如果该容器有漏隙,经漏隙渗出的氦会被吸入,检漏仪就会响应。

The tested part is pressurized with test gas, Helium. Move the sniffer around the tested part, such as welding and connected points etc. If a leak is present, the leak detector will catch the escaping Helium, locate the leak.

主要特点 MAIN CHARACTERISTICS

- ◆ 可准确定位漏点 Targeting leaking point
- ◆ 与真空法相比,无需制作真空罐,设备投入成本较低 Low cost (no need for vacuum chamber)
- ◆ 人工操作,对操作者有一定经验要求 Manual operation, experiences required



喷氦法 SPRAYING MODE

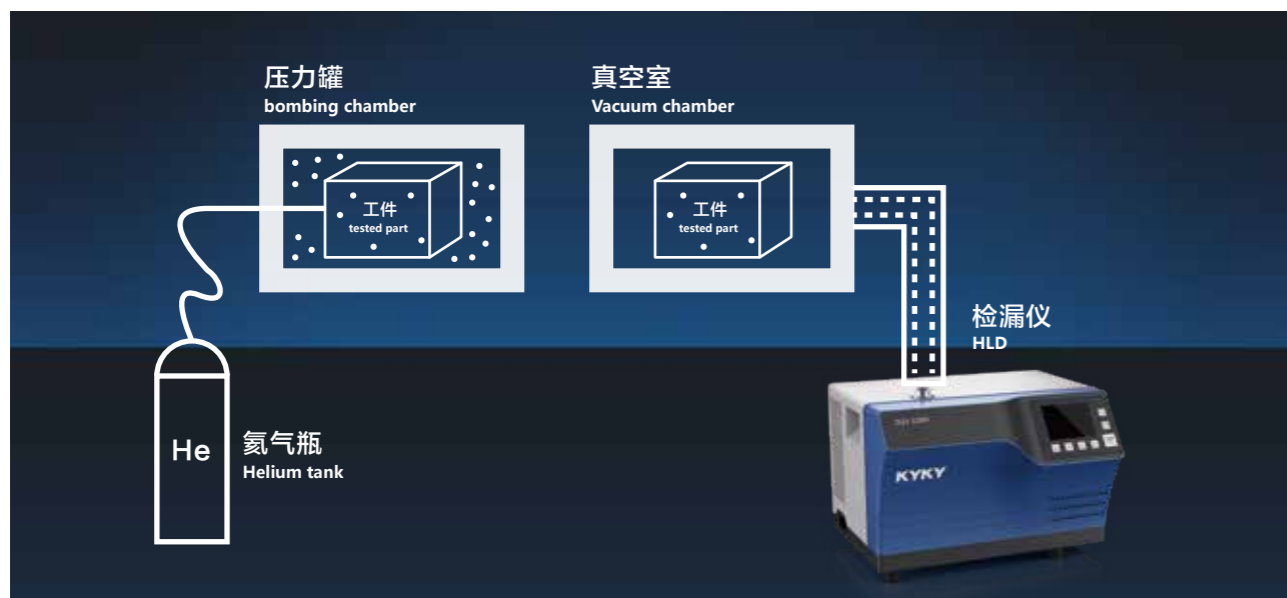
将被检器件和仪器连通,在抽好真空后,在被检器件可能存在漏孔的地方(如密封接头,焊缝等),用喷枪喷氦,如图所示,如果被检器件某处有漏孔,当氦喷到漏孔上时,氦气立即会被吸入到真空系统,从而扩散到质谱室中,氦质谱检漏仪就会立即有响应。

The leak detector evacuates the air inside the tested part. Spray the test gas onto the surface of the part, like welding and connected points. The detector will catch the gas flowing through the leak point of the tested part to locate the leak point.

主要特点 MAIN CHARACTERISTICS

- ◆ 检测精度很高 High sensitivity
- ◆ 能准确定位漏点 Targeting leaking point

GENERAL VACUUM LEAK DETECTION METHODS 常用真空检漏方法介绍



背压法 BOMBING MODE

采用背压法检漏时，首先将被检产品置于高压的氦气室中，浸泡数小时，如果产品表面有漏孔，氦气便被压入被检产品中。然后取出被检产品，放入与检漏仪相连的真空容器内进行检漏。

Place the tested part in a high pressurized Helium chamber (bombing chamber) for several hours. If a leak be present, the tracer gas is forced into the part with the high pressure. After that, take the tested part into a vacuum chamber. Any Helium inside the part will escape and be measured by the leak detector.

主要特点 MAIN CHARACTERISTICS

- ◆ 检测灵敏度高 High sensitivity
- ◆ 能实现小型密封容器产品可以进行批量化检测 Available for small sealed products and with high production
- ◆ 高重复性 Good repeatability

HELIUM LEAK DETECTORS 氦质谱检漏仪



ZQJ-3200台式

ZQJ-3200车式



ZQJ-2300

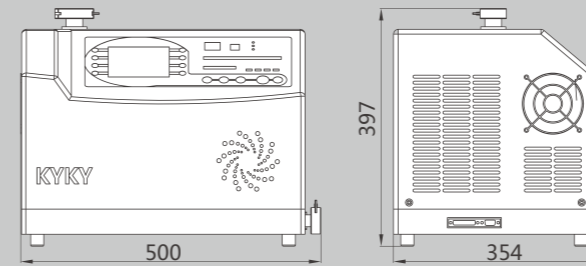
ZQJ-2000

APPLICATIONS 应用领域

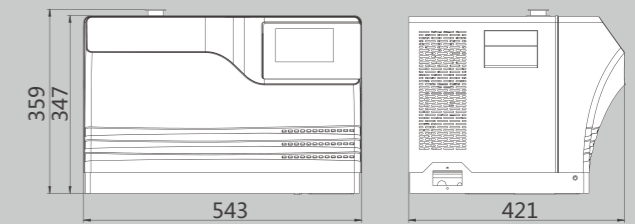
应用领域 Applications	ZQJ-3200/G	ZQJ-2300	ZQJ-2000	ZQJ-230D	ZQJ-230EK
汽车工业 Automobile Industry	■	■	■		
能源制造 Energy Industry	■	■		■	
低温制冷 Cryogenics	■	■	■	■	
电力电气 Electric Power	■				■
电子器件 Electronic Device	■		■	■	■
真空制造 Vacuum Industry	■		■	■	
冶金工业 Metallurgical Industry	■		■		■
阀门制造 Valve Manufacturing	■	■	■	■	■
核电工业 Nuclear Power Industry	■	■			■
科学研究 Scientific Research	■	■	■	■	
半导体工业 Semiconductor Industry	■				
化纤工业 Chemical Fiber Industry	■				
电厂检漏 Leak Detection to Power Plant	■				

OUTLINE DIMENSIONS DRAWING(mm) 安装尺寸图

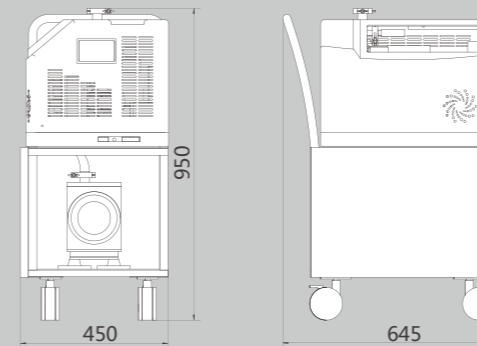
ZQJ-2300



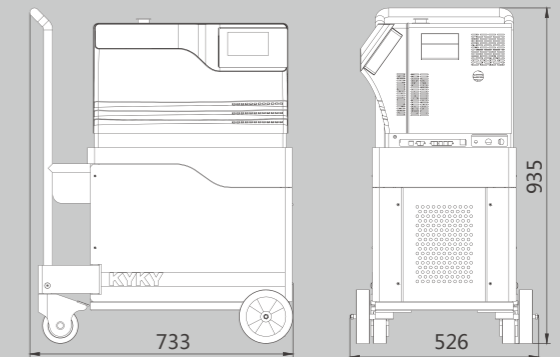
ZQJ-3200台式



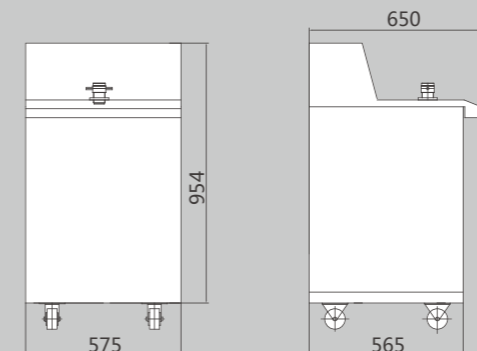
ZQJ-2000



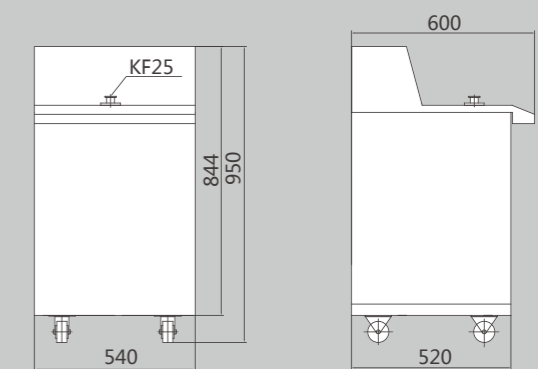
ZQJ-3200车式



ZQJ-230EK



ZQJ-230D



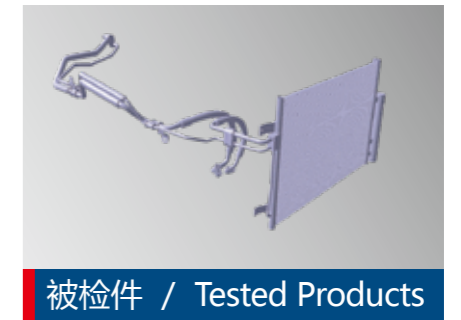
SPECIFICATIONS

技术指标

型号 Model	ZQJ-3200/G	ZQJ-2300	ZQJ-2000	ZQJ-230D	ZQJ-230EK
最小可检漏率 Smallest Detectable Leak Rate (Pa·m ³ /s)	5×10 ⁻¹³	2.0×10 ⁻¹¹	2×10 ⁻¹¹	<5×10 ⁻¹¹	<5×10 ⁻¹¹
检漏测量范围 Leak Rate Display (Pa·m ³ /s)	5×10 ⁻¹³ ~1×10 ⁻¹	1×10 ⁻¹¹ ~ 1×10 ⁻⁵	1×10 ⁻¹¹ ~ 1×10 ⁻⁵	2×10 ⁻¹¹ ~ 9.8×10 ⁻⁵	2×10 ⁻¹¹ ~ 9.8×10 ⁻⁵
检漏口最大压强 Maximum Inlet Pressure (Pa)	2500	1000	1000	20	5000
响应时间 Response Time (s)	≤1	≤2	≤2	≤3	<3
启动时间 Run-up Time (min)	<3	<8	<8	<8	<8
电源要求 Power	220VAC±10% , 50Hz , 8A	220VAC±10% , 50Hz , 5A	220V AC±10% , 50Hz , 8A	220VAC±10% , 50Hz , 8A	220VAC±10% , 50Hz , 10A
工作环境 Working Temperature and Relative Humidity	5°C ~ 45°C , 湿度小于80%	温度5 ~ 45°C , 湿度<80% Working Temperature 5~45°C , Realtive Humidity ≤80%	温度5 ~ 45°C , 相对湿度≤80% Working Temperature 5~45°C Realtive Humidity ≤80%	温度5 ~ 35°C , 相对湿度≤80% Working Temperature 5~35°C , Realtive Humidity ≤80%	温度5 ~ 35°C , 相对湿度≤80% Working Temperature 5~35°C , Realtive Humidity ≤80%
外形尺寸 L*W*H (mm)	543×421×359 (台式) 733×528×935 (车式)	500×354×397	645×450×950	540×600×950	575×650×1060
重量 Weight (kg)	55 (台式) 109 (车式)	36	80	82	80

VACUUM LEAK DETECTION SYSTEM

真空检漏系统



被检件 / Tested Products

汽车空调冷凝器检漏系统

Helium Leak Detection System for Automobile A.C. Evaporators & Condensers

产品应用 APPLICATIONS

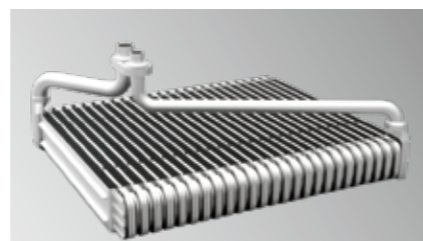
适用于汽车空调蒸发器、冷凝器气密性检测，准确度高，检漏节拍快，既可定性亦可定量显示工件的泄漏情况，操作维护简单，适用于生产线。

The system is used to test Evaporator or Condenser of automobile A.C. for leakage with high accuracy and in short work cycle qualitatively and quantitatively. It is easy to operate and maintain in production line.

技术指标 SPECIFICATIONS

- ◆ 检漏节拍：快于50s/件（双箱联动） Work cycle: ≤50s/pcs (Two Chambers linkage)
- ◆ 最高充气压力：高于5MPa Nitrogen/helium gas mixture pressure: ≥5Mpa
- ◆ 氦气回收率：≥98% Helium recovery ratio: ≥98%
- ◆ 最小可检漏率：0.1g/y Detection limit: 0.1g/y

VACUUM LEAK DETECTION SYSTEM 真空检漏系统



被检件 / Tested Products

汽车空调蒸发器检漏系统

Vacuum Chamber Helium Leak Detection System for Automobile A.C. Evaporators

产品应用 APPLICATIONS

适用于汽车空调蒸发器气密性检测，准确度高，检漏节拍快，既可定性亦可定量显示工件的泄漏情况，操作维护简单，适用于生产线。

The system is used to test Automobile A.C. Evaporators for leakage with high accuracy and in short work cycle qualitatively and quantitatively. It is easy to operate and maintain in production line.

技术指标 SPECIFICATIONS

- | | |
|-----------------|---|
| ◆ 检漏节拍：30 秒/件 | Work cycle:30s/Pcs |
| ◆ 最高充气压力：5Mpa | Nitrogen/helium gas mixture pressure:≥5Mpa Helium |
| ◆ 氦气回收率：≥98% | Recovery ratio:≥98% |
| ◆ 最小可检漏率：0.1g/y | Detection limit:0.1g/y |



被检件 / Tested Products

汽车空调储液器检漏系统

Vacuum Chamber Helium Leak Detection System for Automobile A.C. reservoirs

产品应用 APPLICATIONS

适用于汽车空调储液器进行检漏，可按照用户需求设置工位数，相对于单工位系统来说在增加很少设备投入的同时能有效降低成本，提高生产效率。

The machine is used to perform helium mass spectrum leak detection to reservoirs for car air conditioners, and the number of work stations can be set as needed. Compared with single work stations, only a few equipments invested, a lot efficiency increased and cost reduced.

技术指标 SPECIFICATIONS

- | | |
|------------------------|---|
| ◆ 检漏节拍：快于20s/件 | Work cycle: < 20s/pcs |
| ◆ 示漏氦气压力：0-1.2MPa (可调) | Pressure of helium for leakage testing:0-1.2MPa(adjustable) |
| ◆ 氦气回收率：≥98% | Helium recovery ratio:≥98% |
| ◆ 最小可检漏率：0.1g/y | Detection limit:0.1g/y |

VACUUM LEAK DETECTION SYSTEM 真空检漏系统



被检件 / Tested Products

汽车空调压缩机检漏系统
Vacuum Chamber Helium Leak Detection System for Automobile A.C. Compressor

产品应用 APPLICATIONS

适用于汽车空调压缩机泄漏检测，多工位设计，大大提高检漏效率。

Vacuum chamber method is used in this system to perform leak detection of workpieces with small hollow structure. The multiple work station design increases the detection efficiency.

技术指标 SPECIFICATIONS

- ◆ 检漏精度：< 10g/y Detection limit:< 10g/y
- ◆ 充氮充氦混合气的压力为：2.0Mpa Nitrogen/helium gas mixture pressure:2.0Mpa
- ◆ 多工位设计，检漏节拍：≤ 20秒/件 Multi working station,Work cycle:≤20s/pcs



被检件 / Tested Products

汽车空调管路检漏系统
Helium Leak Detection System For A.C. tube

产品应用 APPLICATIONS

用于对空调管路进行干式检漏。
The system is used to test for A.C. tube.

技术指标 SPECIFICATIONS

- ◆ 检漏节拍：≤30秒/件 Work cycle:≤30s/pcs
- ◆ 氦检测压力：≤ 2.0 MPa Helium detection pressure:≤2.0 MPa
- ◆ 氦气回收率：≥98 % Helium recovery ratio:≥98%
- ◆ 检测漏率：< 2g/y Detection limit: < 2g/y
- ◆ 不合格品防错功能 Non-conforming product error prevention function
- ◆ 条码打印功能：检测合格产品自动打印标签 Clamping automaticly, suitable for assembly line work
- ◆ 数据存储功能，检测数据可查询追溯 Bar code scanning, data storage, check etc
- ◆ 设备具备检测管路内堵功能 The equipment has the function of testing internal blockage of pipeline

VACUUM LEAK DETECTION SYSTEM 真空检漏系统



被检件 / Tested Products

汽车液力变矩器检漏系统
Hydraulic Torque Converter Leak Detection System

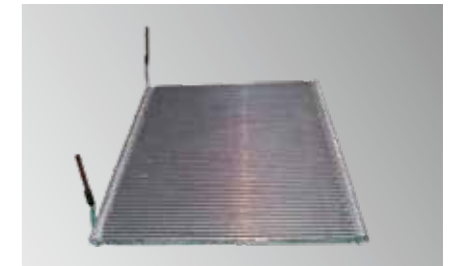
产品应用 APPLICATIONS

自动挡汽车发动机和变速箱之间没有离合器，他们之间的连接是靠液力变矩器来实现的，液力变矩器内部含液压油，一旦泄漏，会严重影响传动效果，因此，产品在出厂前都要进行泄漏测试。

There is no clutch between the automobile engine and the gearbox. The connection between them is realized by the hydraulic torque converter. The hydraulic oil inside the hydraulic torque converter will seriously affect the transmission effect if it leaks. Therefore, the product must be tested before it leaves the factory.

技术指标 SPECIFICATIONS

- ◆ 自动化程度高：全自动流水线，机械手装卸，检漏全程无需人工干预
High automation: full automatic assembly line, manipulator loading and unloading, leak detection without manual intervention.
- ◆ 检测节拍快：<60秒/件 Beat fast: <60s/pcs
- ◆ 检测精度高，最小可检漏 $1 \times 10^{-7} \text{Pa} \cdot \text{m}^3/\text{s}$ High detection accuracy: $1 \times 10^{-7} \text{Pa} \cdot \text{m}^3/\text{s}$
- ◆ 氦气回收率：≥98% Helium recovery rate: ≥98%
- ◆ 具备条码扫描、数据记录、故障记录、标签打印等功能
Functional of bar code scanning, data recording, fault recording, label printing



被检件 / Tested Products

家用空调检漏系统
Helium Leak Detection System For Domestic Air-conditioning

产品应用 APPLICATIONS

应用于家用空调器气密性检测。
The system is used to test for Household Air-conditioning

技术指标 SPECIFICATIONS

- ◆ 检漏节拍：大箱120 s/件，小箱30s/件 Work cycle: 120 s/pcs (large chamber), 30 s/pcs (small chamber)
- ◆ 最高充气压力：高于5MPa Max. loading pressure: Above 5MPa
- ◆ 氦气回收率：≥98% Helium recovery ratio: ≥98%
- ◆ 真空箱内极限真空度 (Pa)：优于10Pa Ultimate vacuum in chamber(Pa): above 10Pa
- ◆ 最小可检漏率：0.1g/y Detection limit: 0.1g/y

VACUUM LEAK DETECTION SYSTEM 真空检漏系统



被检件 / Tested Products

电力柱上开关检漏系统
Helium Leak Detection System For Column Switches

产品应用 APPLICATIONS

本系统适用于在线对电力柱上开关进行干式检漏，并对检漏合格产品进行SF6自动充注。
The system is used for testing column switches.

技术指标 SPECIFICATIONS

◆ 双工位配置每箱检测一件	Double Position
◆ 工件内外压力差：≤0.03Mpa (可设定)	Pressure difference between outside and inside of workpiece:≤0.03Mpa(settable)
◆ 年泄漏率：≤0.5%	Detection limit:≤0.5% leakage per year
◆ 充SF6气体压力：0.035Mpa (表压)	SF6 loading pressure:0.035Mpa(gage pressure)
◆ 充氦压力：0.03Mpa (绝压)	Helium loading pressure:0.03Mpa(absolute pressure)
◆ 氦气回收率：≥98%	Helium recycle ratio:≥98%
◆ 检漏节拍：≤7分钟/件	Work cycle:≤7 Minutes/pcs
◆ 自动化的装夹、特别适合流水线作业	Clamping automatically, suitable for assembly line work
◆ 条码扫描、数据存储查询等功能	Bar code scanning, data storage, check etc



环网柜移箱式检漏系统

电力开关柜氦检漏设备

被检件 / Tested Products

气体绝缘柜、环网柜检漏系统
Helium Leak Detection System for Power Switch

产品应用 APPLICATIONS

适用于对气体绝缘开关设备及环网柜产品的整机检漏和SF6气体的充注。系统检漏和气体充注时，始终使内外压差保持在一定的范围之内，以防止工件的变形。

The system is used to perform helium mass spectrum leak detection to switch cabinets. The system is functional of keeping the difference of pressure inside & outside of chamber within a suitable range to avoid the deformation of the workpieces.

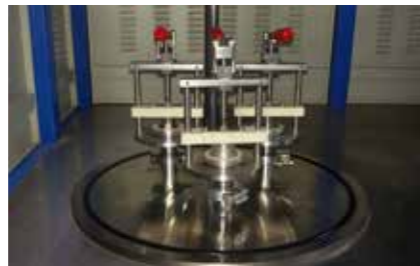
技术指标 SPECIFICATIONS

◆ 每箱可检工件数：大工件可检1件，小工件可同时检2件	Max number of workpieces per chamber:1 piece (large), 2 pieces (small)
◆ 工件内外压力差：≤0.03MPa (可设定)	Pressure difference between outside and inside of workpiece:≤0.03MPa(settable)
◆ 年泄漏率：≤0.5%	Detection limit:≤0.5% leakage per year
◆ 充SF6气体压力：0.035MPa (表压)	SF6 loading pressure:0.035MPa(gage pressure)
◆ 充氦压力：0.03MPa (绝压)	Helium loading pressure:0.03MPa(absolute pressure)
◆ 氦气回收率：≥98%	Helium recovery ratio:≥98%
◆ 检漏节拍：≤1小时/件	Work cycle:≤1 hour/pcs

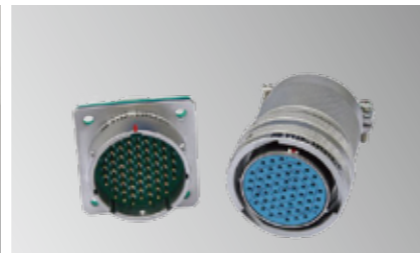
VACUUM LEAK DETECTION SYSTEM 真空检漏系统



检测设备
Detection equipment



专用工装
Special tooling



被检件
Tested Products

航空航天接插件检漏系统
Leak Detection System for Aerospace Connectors

产品应用 APPLICATIONS

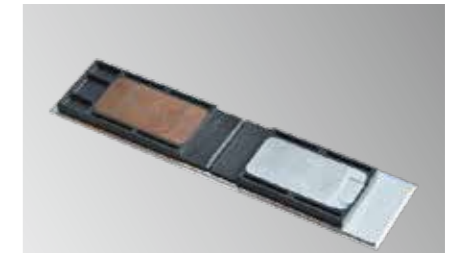
用于航空航天接插件泄漏检测。
Leak detection for aerospace connectors.

技术指标 SPECIFICATIONS

- ◆ 采用氦罩法进行气密性检测，并对钟罩内氦气回收，避免了传统喷氦法对工作环境影响
The helium cover method was used to detect the air tightness, and helium in the bell cover was recovered to avoid the influence of the traditional helium spray method on the working environment.
- ◆ 检测效率高，每个工位可同时检测多个工件，检测节拍可达10秒/件
High detection efficiency, Each workstation is available for several workpieces, and the detection cycle is 10 seconds.
- ◆ 检测精度高，最小可检漏率达 $5 \times 10^{-10} \text{Pa} \cdot \text{m}^3/\text{s}$
High detection accuracy and minimum leak detection rate of $5 \times 10^{-10} \text{Pa} \cdot \text{m}^3/\text{s}$
- ◆ 氦气回收率：≥98%
Helium recycle rate: ≥98%



锂电池外壳、陶瓷电极检漏系统
Ceramic Electrode and Battery Case Leak Detection System



被检件 / Tested Products

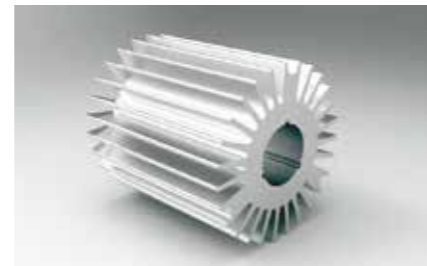
产品应用 APPLICATIONS

用于陶瓷电极、锂电池外壳、盖板密封性能检测。
It is used for testing ceramic electrode, lithium battery shell and sealing plate.

技术指标 SPECIFICATIONS

- ◆ 专用工装设计、可同时检测多个工件
Special tooling design, which can detect multiple workpieces simultaneously.
- ◆ 特殊氦罩设计保证喷氦均匀
Special helium cover design ensures uniform spray of helium.
- ◆ 专用清氦功能，减少环境对系统本底影响
Special helium cleaning function to reduce environmental impact on the background of the system.
- ◆ 检测节拍快：5秒/件
Short detection cycle: 5 seconds/pcs
- ◆ 检测精度高，最小可检漏 $<1 \times 10^{-8} \text{Pa} \cdot \text{m}^3/\text{s}$
High detection accuracy $<1 \times 10^{-8} \text{Pa} \cdot \text{m}^3/\text{s}$

VACUUM LEAK DETECTION SYSTEM 真空检漏系统



被检件 / Tested Products

多工位高真空排气检漏台
Multi-station High Vacuum Exhaust Leak Detection System

产品应用 APPLICATIONS

本系统是氦质谱检漏的辅助抽空设备，可将被检工件迅速抽真空至 10Pa 以下，直接对工件进行检漏。
This system is used to pump the workpiece down to 10 Pa fastly for helium leak detection.

技术指标 SPECIFICATIONS

- | | |
|--------------|----------------------------|
| ◆ 工位数：1-6 | Working station:1-6 |
| ◆ 真空度：≤20Pa | Ultimate vacuum:≤20Pa |
| ◆ 工位转换节拍：20s | Working station Switch:20s |



被检件 / Tested Products

充氮充氟油检漏平台
Fluorinated Oil Leak Detection Device

产品应用 APPLICATIONS

氟油加压检漏装置是专门针对半导体器件、集成电路、电子产品等电子元器件进行细检和粗检的一套自动化检漏装置。它与氦质谱检漏仪和重氟油加热仪配合使用，可以进行电子元器件的整个细检和粗检过程。
The automated equipment is special for testing semiconductor element, integrated circuit, and electronic products in rough and fine mode.

技术指标 SPECIFICATIONS

- | | |
|--|---|
| ◆ 加压罐本底真空度优于50Pa
Vacuum:≤ 50Pa | ◆ 真空测量：热偶计
Vacuum Test:thermal couple meter |
| ◆ 充气压力：≤1.0MPa
Helium loading pressure:0.2 ~ 1.0Mpa, adjustable | ◆ 加热温度：125°C±5°C
Indicator liquid:(FC43)125±5°C |
| ◆ 升温时间：从室温到125°C ≤30分钟
Temperature Up time: 25°C-125°C≤30Min | ◆ 工作电压：220VDC 50Hz
Operating Voltage:220VDC 50Hz |
| ◆ 仪器功率：1.5KW (加热功率：0.4KW)
Power:1.5KW(Heating power 0.4KW) | ◆ 照明灯：12VDC 10W
Lamp:12VDC 10W |
| ◆ 氮气罐尺寸：Φ157×246，单位：mm
Helium tank:Φ157×246mm | ◆ 氟气罐尺寸：Φ157×246，单位：mm
Nitrogen tank:for N2 Φ157×246mm |

VACUUM SOLUTIONS 真空解决方案

中科科仪深耕真空领域60余年，具有国内首屈一指的真空资源整合能力，持续进行真空理论、工程实践和产品应用创新，为您提供全方位的真空解决方案和专业便捷服务。

With 60 years exploration in vacuum industry, KYKY is experienced to provide optimized vacuum solutions and convenient and professional services based on the overall understanding of specific requirements, vacuum fundamental theories, engineering practices and products applications.

半导体工业 SEMICONDUCTOR INDUSTRY

- ◆ 更长的维护保养时间间隔 Longer interval for maintenance
- ◆ 更加节能环保的真空产品 Efficient and eco-friendly products
- ◆ 定制化的真空解决方案 Customized vacuum solutions

工业检漏 INDUSTRIAL LEAK DETECTION

- ◆ 高灵敏度的检漏设备 Highly sensitive leak detector
- ◆ 高频率检漏的可靠产品 Reliable products for highly frequent operation
- ◆ 定制化的检漏解决方案 Customized leak detecting solutions
- ◆ 及时全面的现场服务 Timely and all-round services on site

研发、大科学工程 R&D AND NATIONAL MAJOR SCIENTIFIC ENGINEERING

- ◆ 高可靠性的产品 Highly reliable products

- ◆ 耐放射性辐射的解决方案 Radiation-resistant solutions
- ◆ 特殊需求的深度合作 Deeper cooperation for special requirements
- ◆ 定制化的真空解决方案 Customized vacuum solutions
- ◆ 及时全面的现场服务 Timely and all-round services on site

分析仪器 ANALYSIS INSTRUMENTS

- ◆ 模块化设计的多重选择性 Multi options based on modular design
- ◆ 使用维护的便利性 Convenient operation and maintenance
- ◆ 控制连接的定制化 Interfaces customization
- ◆ 转速调节的自主性 Independent speed adjustment

真空服务 SERVICES

- ◆ 北京及全国真空行业协会的交流平台 Platform of vacuum associations in China
- ◆ 真空理论和计算交流咨询 Consultancy of Vacuum theory and calculation
- ◆ 真空工程的经验分享 Experience sharing of vacuum engineering